

INTAKE MANIFOLD

FUEL INJECTION (FUEL SYSTEMS)

B: INSTALLATION

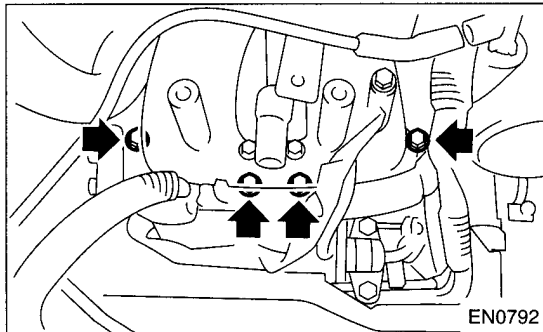
1) Install the intake manifold onto cylinder heads.

NOTE:

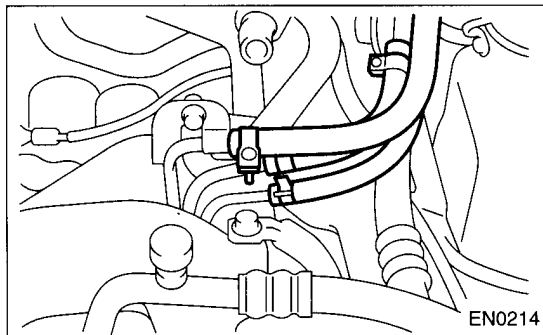
Always use new gaskets.

Tightening torque:

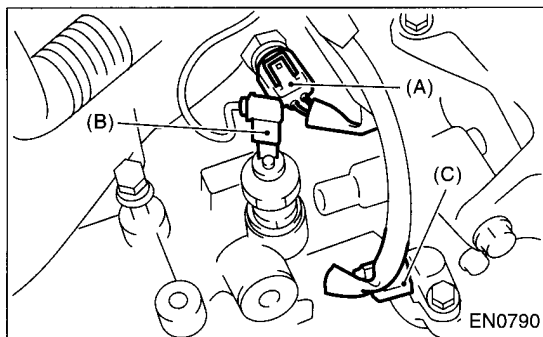
25 N·m (2.5 kgf-m, 18.1 ft-lb)



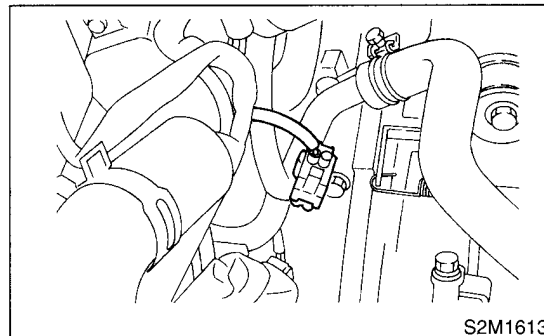
2) Connect the fuel delivery hose, return hose, and evaporation hose.



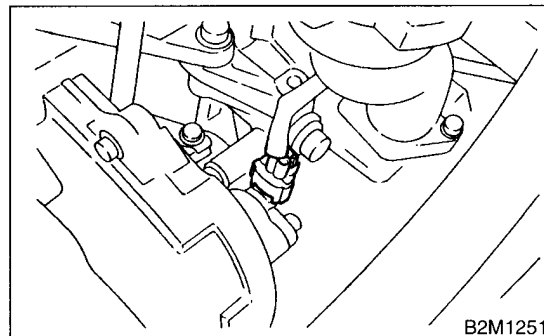
3) Connect the connector to the oil pressure switch (B), crankshaft position sensor (C) and engine coolant temperature sensor (A).



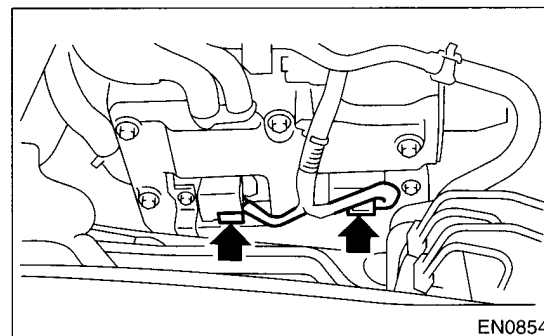
4) Connect the connector to the knock sensor.



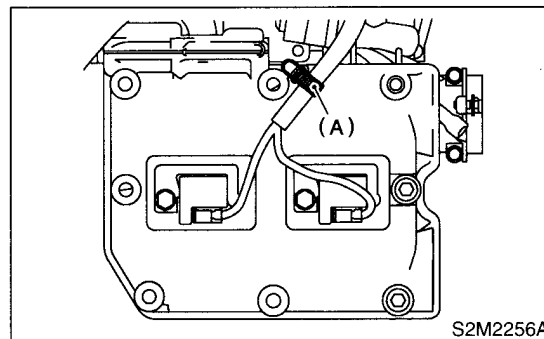
5) Connect the connector to the camshaft position sensor.



6) Connect the connector to the ignition coil.



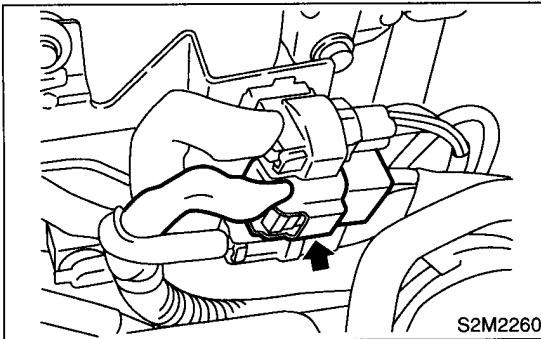
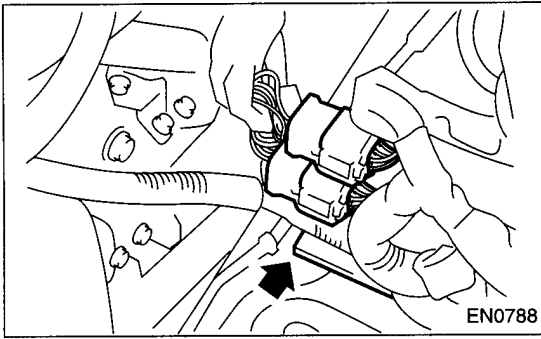
7) Connect the engine harness with clip (A) to the bracket.



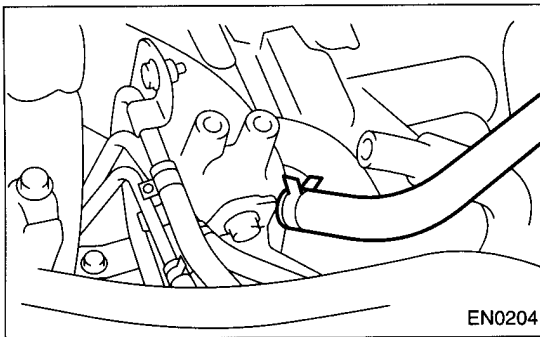
INTAKE MANIFOLD

FUEL INJECTION (FUEL SYSTEMS)

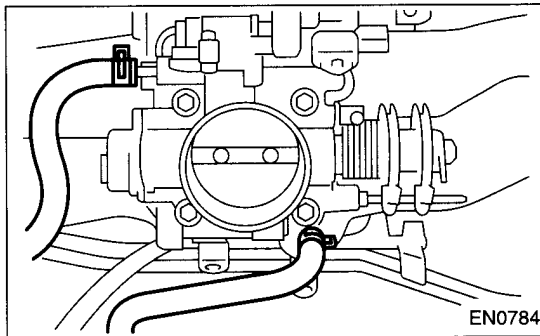
8) Connect the engine harness connector to the bulkhead harness connectors.



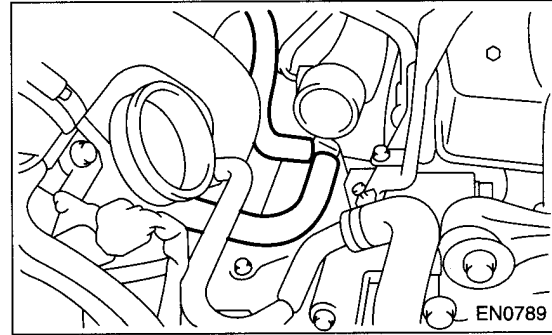
9) Connect the brake booster vacuum hose.



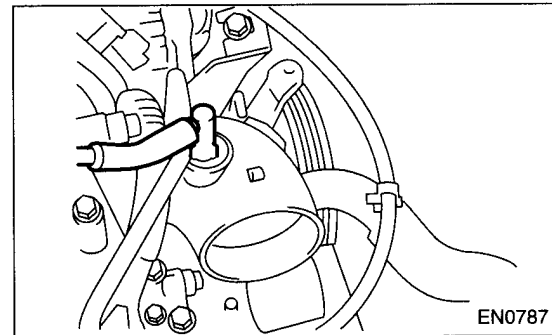
10) Connect the engine coolant hoses to the throttle body.



11) Connect the emission hose to the PCV valve.

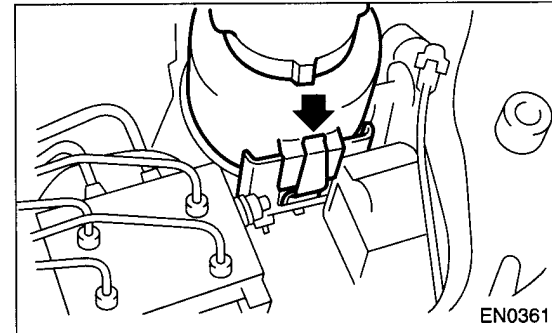


12) Connect the pressure hose to the intake duct.

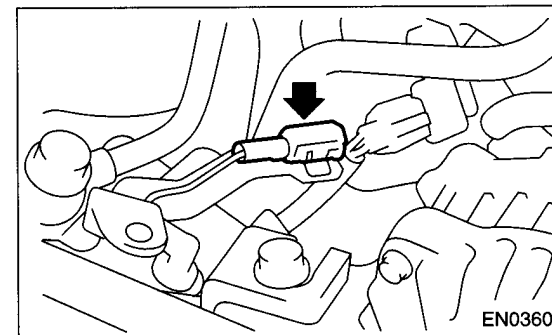


13) Install the power steering pump.

(1) Install the power steering tank on the bracket.



(2) Connect the connector to the power steering pump switch.



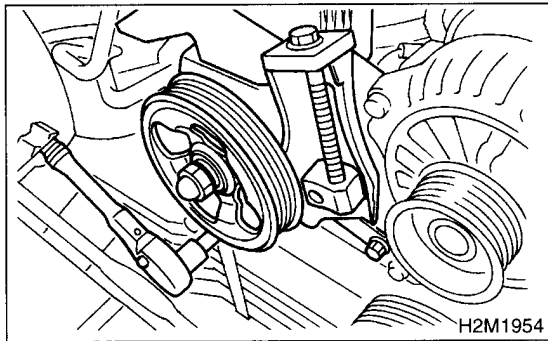
INTAKE MANIFOLD

FUEL INJECTION (FUEL SYSTEMS)

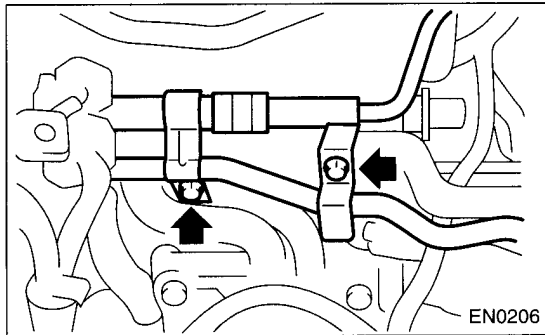
(3) Install the power steering pump, and tighten the bolts.

Tightening torque:

22 N·m (2.2 kgf-m, 15.9 ft-lb)



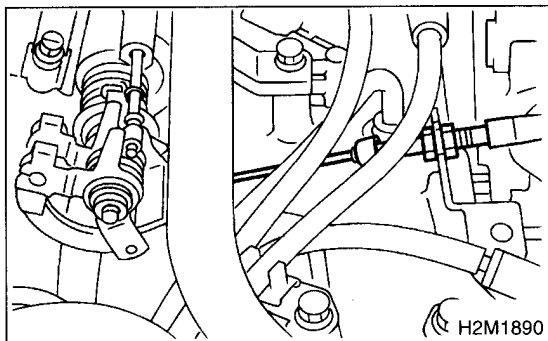
(4) Install the power steering pipe brackets on the right side intake manifold.



(5) Install the front side V-belt.
<Ref. to ME(DOHC TURBO)-44, REMOVAL, V-belt.>

14) Install the cooler filler tank. <Ref. to CO-51, INSTALLATION, Coolant Filler Tank.>

15) Connect the accelerator cable.

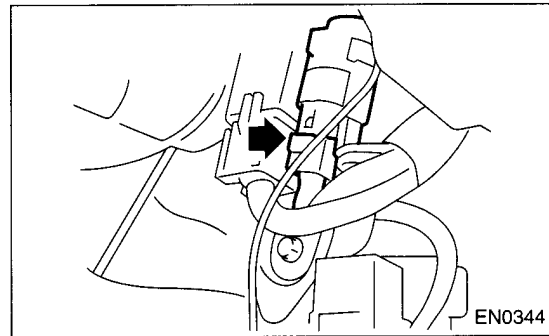


16) Install the intercooler. <Ref. to IN(DOHC TURBO)-11, INSTALLATION, Intercooler.>

17) Install the air cleaner element.

18) Install the air cleaner upper cover and air intake duct as a unit. <Ref. to IN(DOHC TURBO)-7, INSTALLATION, Air Cleaner.>

19) Connect the connector to the fuel pump relay.



20) Connect the battery ground cable.

21) Lift up the vehicle.

22) Install the under cover.

23) Fill the coolant. <Ref. to CO-25, FILLING OF ENGINE COOLANT, Engine Coolant.>